

# Milesight AI TrueColor Dual-sensor 180° Panoramic Network Camera



	Model	MS-C8577-HPG1
<b>Camera</b>	Image Sensor	Dual 1/2.5" Progressive Scan CMOS
	Min. Illumination	Color: 0.001Lux@(F1.6, AGC ON), B/W: 0Lux with IR on
	WDR	140dB Super WDR
	Lens	1.8mm@F1.6
	Mount	M12
	Field of View	H200°/V90°
	Shutter Time	1/100000s~1s
	DORI Distance	Detect: 50.4m Observe: 19.8m Recognize: 10m Identify: 5m
	Light Type	4 x IR Lights, 2 x White Lights
	Light Distance	Up to 20m (IR Light), Up to 25m (White Light)
	IR Wave Length	850nm
	Day/Night Mode	Day/Night/Auto/Customize
	S/N	>55dB
<b>Video</b>	Max. Image Resolution	3840x2176
	Primary Stream	60Hz: 25fps@(3840x2176), 50Hz: 25fps@(3840x2176)
	Secondary Stream	60Hz: 25fps@(960x544, 672x380, 512x288, 352x192) 50Hz: 25fps@(960x544, 672x380, 512x288, 352x192)
	Tertiary Stream	Left Stream/Right Stream 60Hz: 25fps@(1280x960), 50Hz: 25fps@(1280x960)
	Video Compression	H.265+/H.265(HEVC)/H.264+/H.264/MJPEG
	Video Bit Rate	16Kbps~16Mbps(CBR/VBR Adjustable)
<b>Image</b>	Privacy Masking	Up to 8 Mask Areas
	ROI	Up to 8 Areas
	Image Setting	Brightness/Contrast/Saturation/Sharpness
	Image Enhancement	BLC, HLC, 2D DNR, 3D DNR, Defog, AWB, AGC, Anti-flicker, Image Rotation, Deblur, etc.
<b>Interface</b>	Ethernet	1*RJ45 10M/ 100M Ethernet Port
	Built-in Microphone	Support
	Audio Interface	1*Audio Out Interface (Standard)
	Alarm I/O	1/1 (Standard)
<b>Network</b>	Network Storage	NAS(Support NFS, SMB/CIFS), ANR
	Protocol	IPv4/IPv6, ARP, TCP, UDP, RTCP, RTP, RTSP, RTMP, HTTP, HTTPS, DNS, DDNS, DHCP, FTP, NTP, SMTP, SNMP, UPnP, Bonjour, VPN, SIP, LLDP, PPPoE, VLAN, 802.1x, QoS, IGMP, ICMP, SSL,TLS 1.2

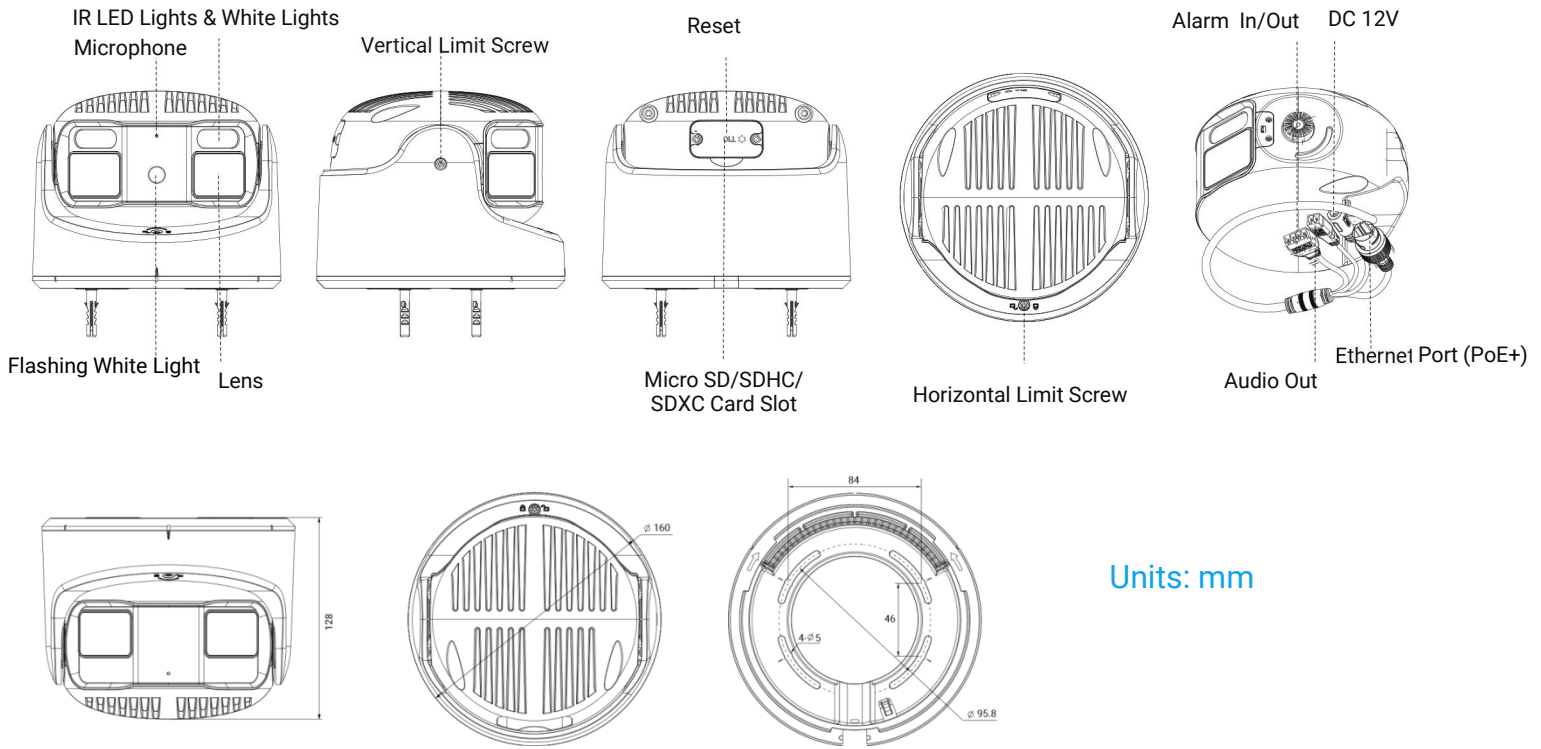
# Milesight AI TrueColor Dual-sensor 180° Panoramic Network Camera



<b>Audio</b>	Audio Compression	G.711/AAC/G.722/G.726
	Audio Sampling Rate	8/16/32/44.1/48KHz
	Audio Bit Rate	16~256kbps
<b>Intelligent Analytics</b>	Video Analysis	<b>VCA 2.0:</b> Intrusion Detection, Region Entrance, Region Exiting, Advanced Motion Detection, Line Crossing, Loitering, Object Left, Object Removed
	Object Counting & Report	Count the number of objects crossing the line, optionally human and vehicle, and support regional people counting for up to 4 detection areas
	Heat Map	The built-in statistical behavior analysis enables you to identify the busiest areas within the environment
<b>Event</b>	Basic Event	Motion Detection, Tamper Detection, Audio Alarm, External Input, External Output, etc.
	Exception	Network Disconnection, IP Address Filtering, Record Failed, SD Card Full, SD Card Uninitialized, SD Card Error, No SD Card, etc.
	Event Action	FTP Upload Record, SMTP Upload Record, SD Card Record, Snapshot, SIP Phone, Play Audio, External Output, HTTP Notification, etc.
<b>System</b>	Watermark	Support
	Storage	Support Micro SD/SDHC/SDXC Card Local Storage, up to 1TB
	SIP/VoIP Support	Yes, Voice & Video-over-IP
	System Compatibility	ONVIF Profile G & M & S & T, API
<b>General</b>	Working Temperature	-40°C~60°C
	Working Humidity	0~95%(Non-condensing)
	Power Supply	PoE+(802.3at) / DC 12V / 2A±20%
	Power Consumption	<b>Min.:</b> 4.2W(DC 12V), 5W(PoE+) <b>Max.:</b> 12.7W(DC 12V), 15W(PoE+)
	Weight	Approx. 1.5Kg
	Dimensions	Φ160mmX128mm
	Warranty	3 Years / 5 Years (Optional)
<b>Certifications</b>	EMC	CE-EMC (EN 55032, EN 55035, EN61000), FCC (PART 15B)
	Safety	CE-LVD (EN IEC 62368-1)
	Environment	CE-ROHS (Directive (EU) 2015/863 amending 2011/65/EU)
	Protection	IP67, IK10



## Structure Diagrams



## Accessories Map

